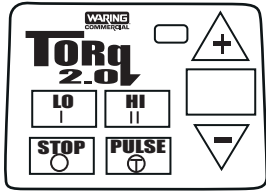


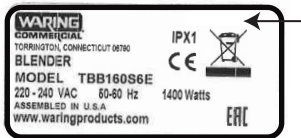
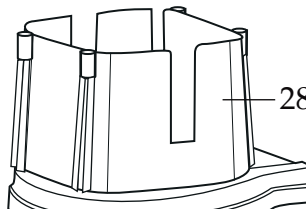
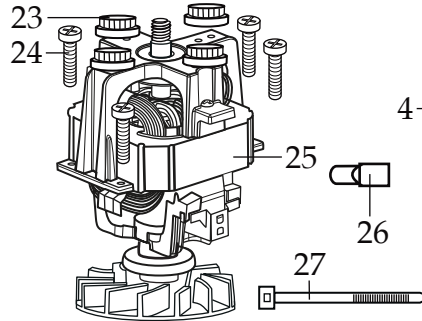
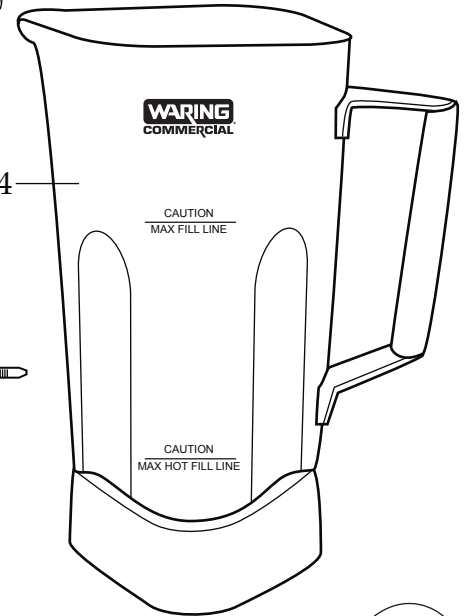
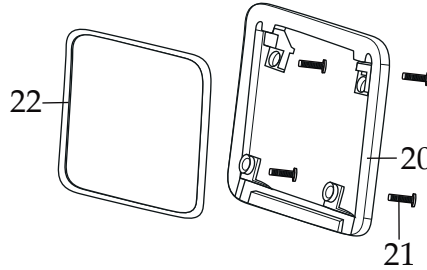
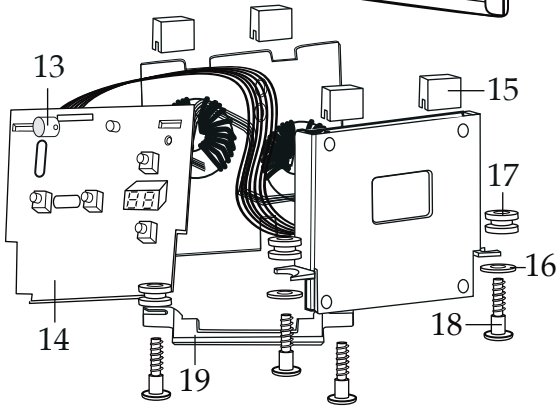
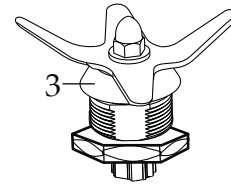
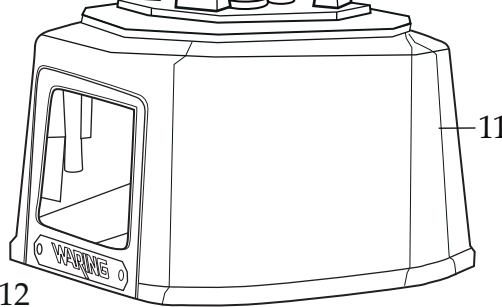
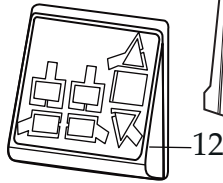
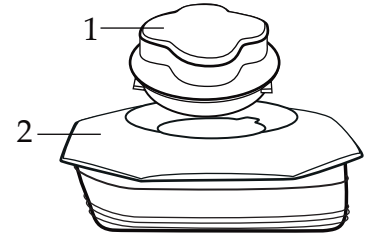
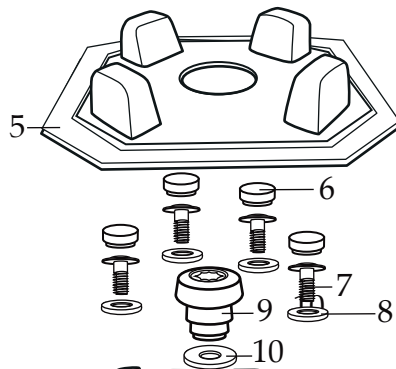
WARING COMMERCIAL®

Europe **TORq** 2.0 Blender
with Electronic Keypad, Timer
& 64 oz. Stainless Steel
Container

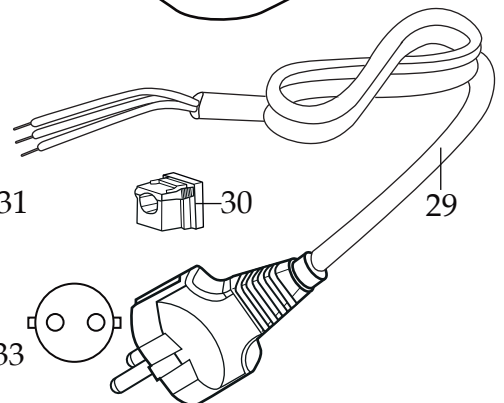
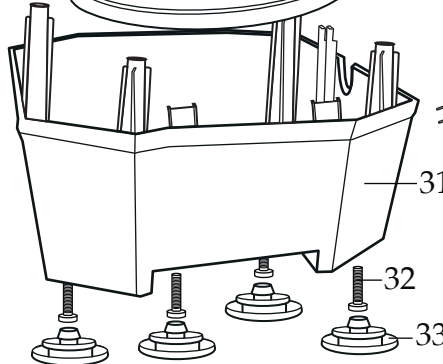
TBB160S6E



035872
Control Panel Overlay

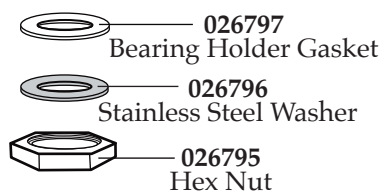
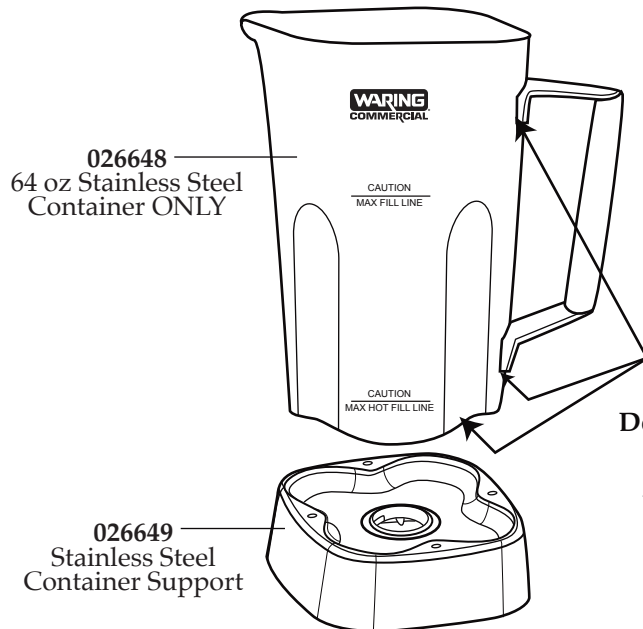
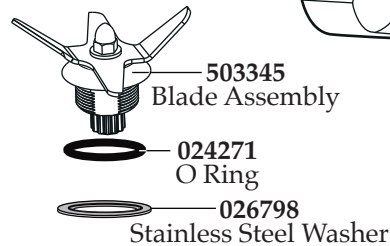
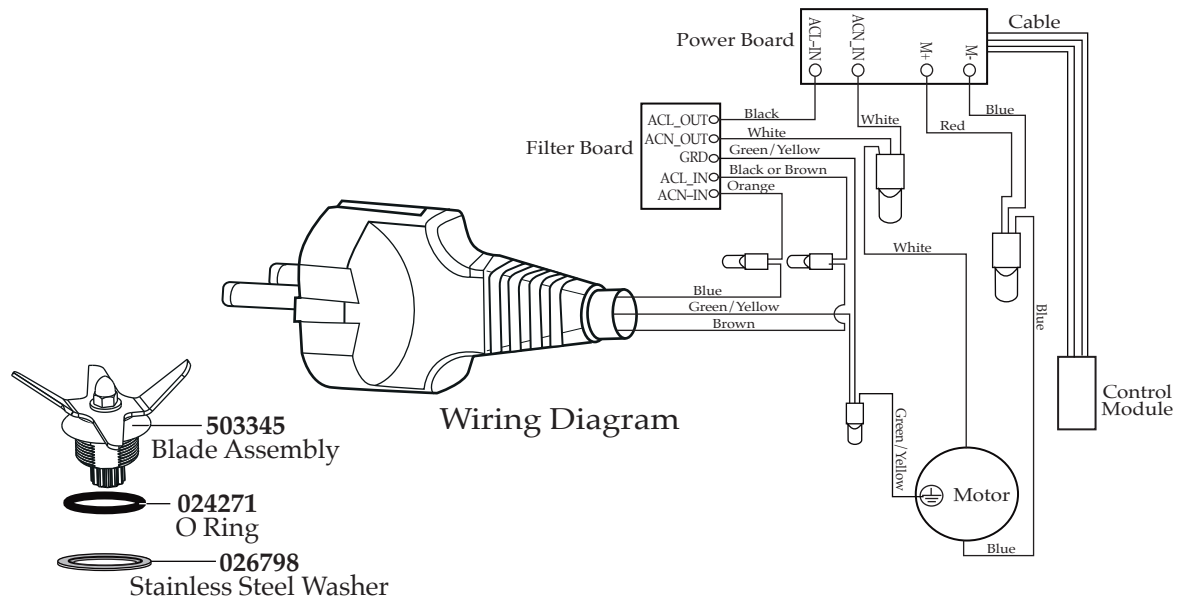


Date Code Location
YY|MM|DD
year|month|month|day|day



Illustration#	Part#	Description
1	026425-E	Eastman Jar Lid Cover
2	026424-V	Vinyl Jar Lid
3	032483	Blending Assembly Kit
4	503346	64 oz. Stainless Steel Container Complete with Blending Assembly
5	035885	Jar Pad
6	035085	Hole Plug (4 required)
7	034275	Sems (4 required)
8	034273	B Gasket (4 required)
9	037034	Drive Coupling 2 Gen.
10	037033	Coupling Washer
11	503609 503460-160-E	Top Housing with Badge <i>(on units after 9/28/2022)</i> Top Housing Assembly
12	035234	Control Housing Front Bezel <i>(on units after 9/28/2022)</i>
13	035253	LED Lens
14	035165	TBB160 230 volt Control Panel
15	034900	PCB Cushion (4 required)
16	013604	Washer (4 required)
17	034904	Rubber Grommet (4 required)
18	034902	Sems (4 required)
19	035894	Control Board Bracket
20	035237	Control Housing Back Bezel <i>(on units after 9/28/2022)</i>
21	035090	Screw (4 required)
22	038576	Top Housing Control Seal <i>(on units after 9/28/2022)</i>
23	034272	A Gasket (4 required)
24	034274	Screw (4 required)
25	035816	Chiaphua Motor No Sensor
26	012409 019123	Small Crimp Connectors (3 required) Large Crimp Connector (2 required)
27	013731	Cable Ties (8 required)
28	503483	Motor Housing with Dampeners
29	017948	Cordset

Illustration#	Part#	Description
30	033619	Strain Relief
31	503480 035079	Bottom Housing Assembly with Feet Bottom Housing
32	034274	Screw (4 required)
33	035088	Foot (4 required)



Notes:
 Sealant applied all round these indicated areas.
Dow Corning Sealant RTV 733
 Torque 100-125 in / lbs.
 Lubricant applied to O Ring
Dow Corning 200 (R) Fluid